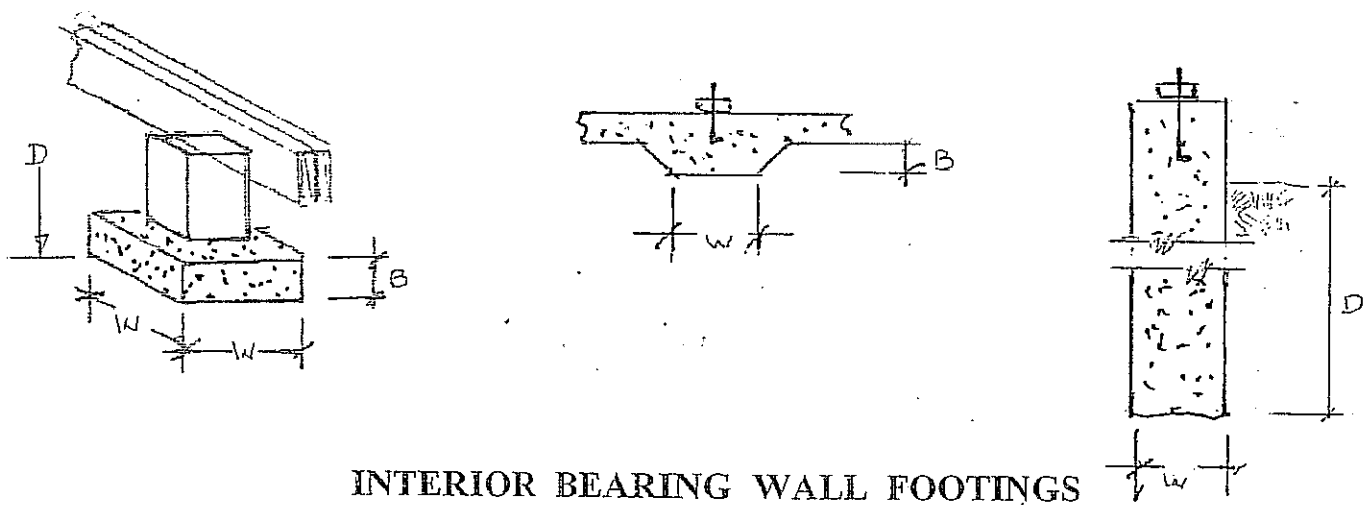


EXTERIOR WALLS

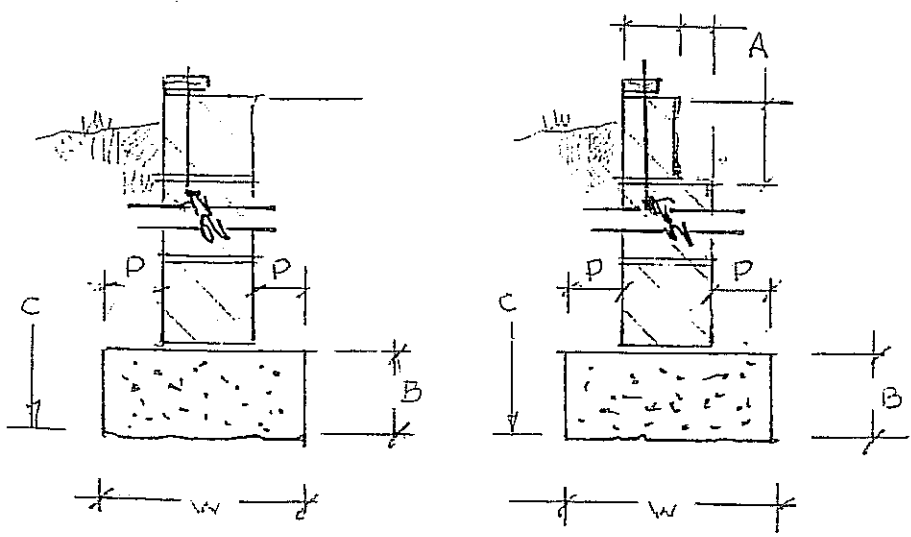


INTERIOR BEARING WALL FOOTINGS

CONCRETE

LEGEND NOTES

- A SEE MICHIGAN RESIDENTIAL CODE, SECTION R404 FOR REFERENCED DATA RELATIVE TO WALL WIDTH, AND HEIGHT AND WIDTH OF STEM WALLS
- B FOOTING HEIGHT--EQUAL TO WALL WIDTH--MINIMUM 6"
- C FROST DEPTH--42" BELOW GRADE
- D DEPTH AS REQUIRED TO BEAR ON UNDISTURBED SOIL
- P MINIMUM 2" & MAXIMUM = DEPTH OF FOOTING
- R OPTIONAL REINFORCING--ALL FOOTINGS, 3" MIN. CONC. COVER
- W MINIMUM 12"--NOT TO EXCEED TWICE THE WALL WIDTH OR INCREASE FOOTING DEPTH



ILLUSTRATIONS FOR REFERENCE ONLY
REFER TO SPECIFIC CODE REQUIREMENTS

MASONRY

INFORMATION ONLY