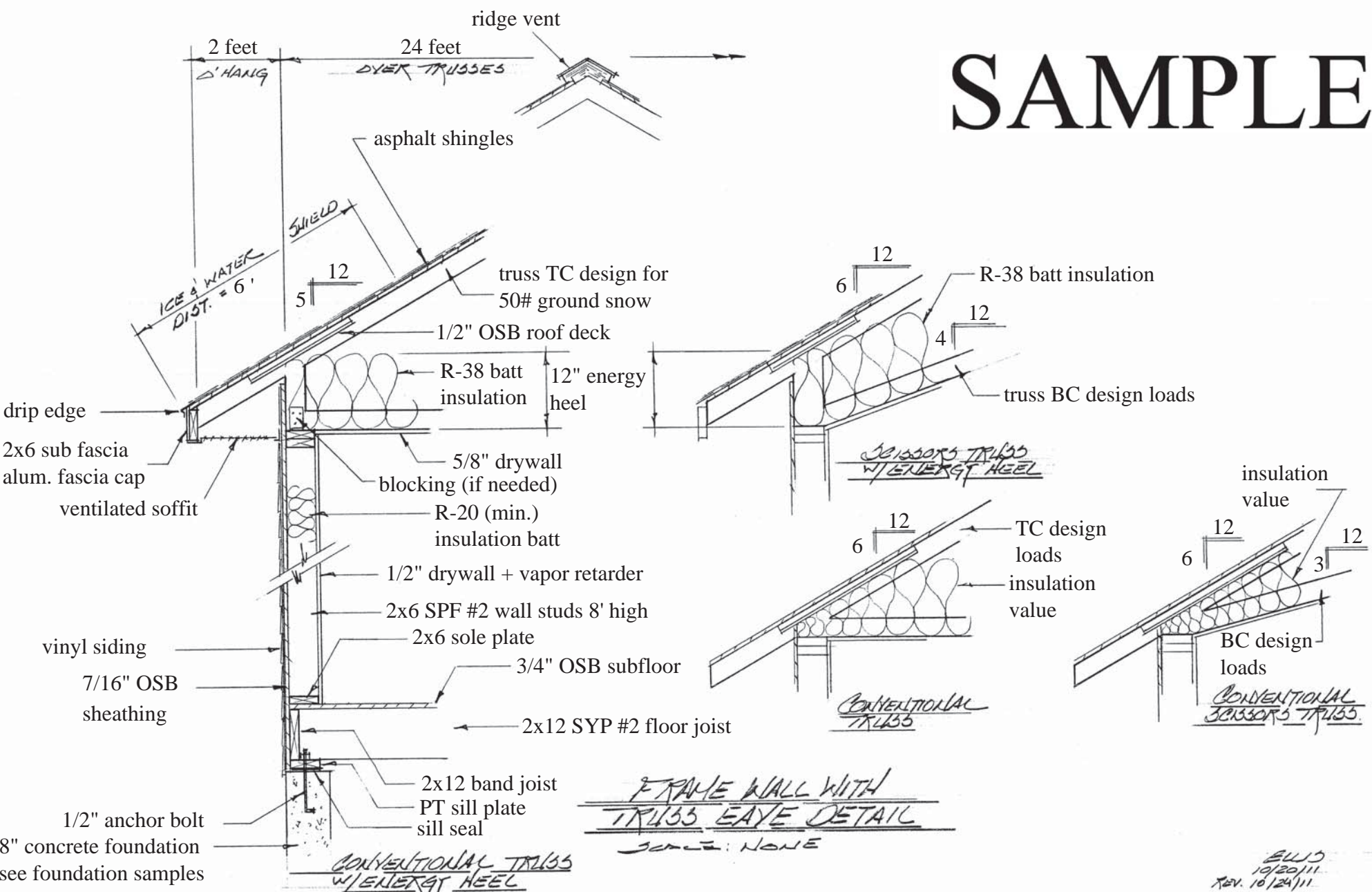
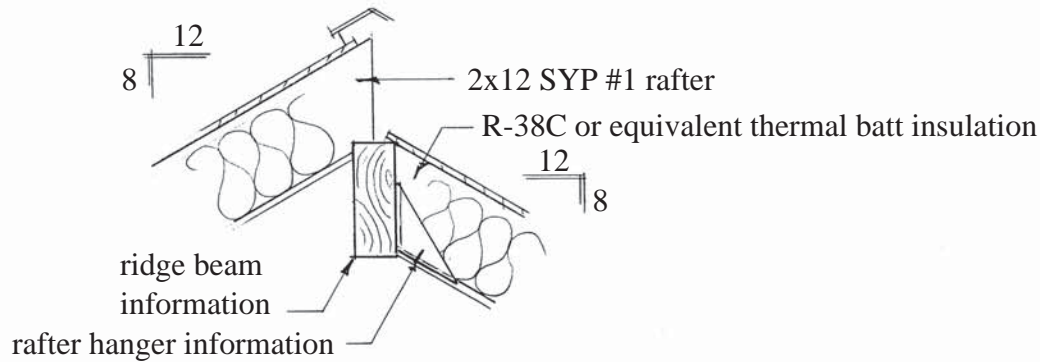


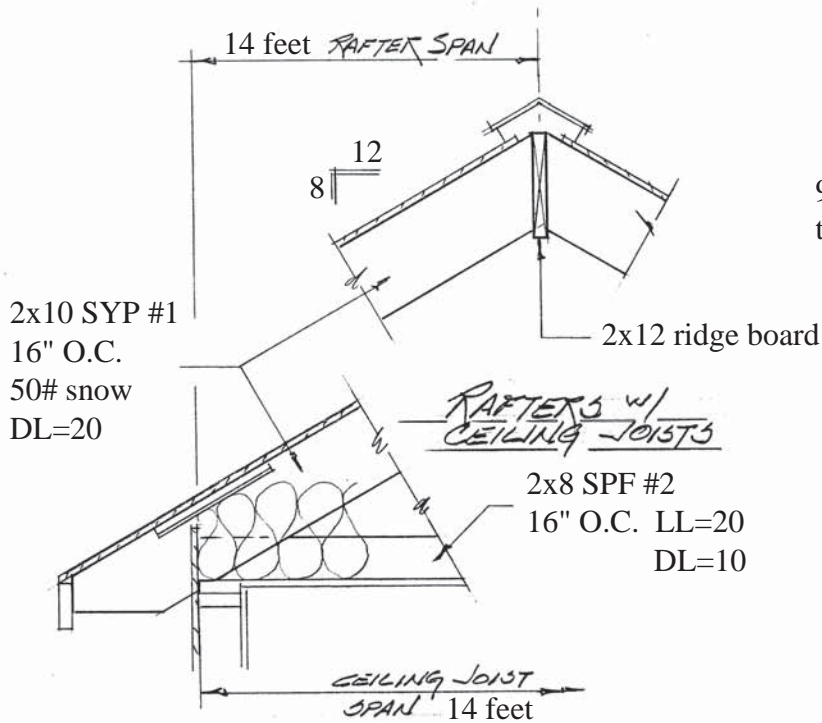
SAMPLE



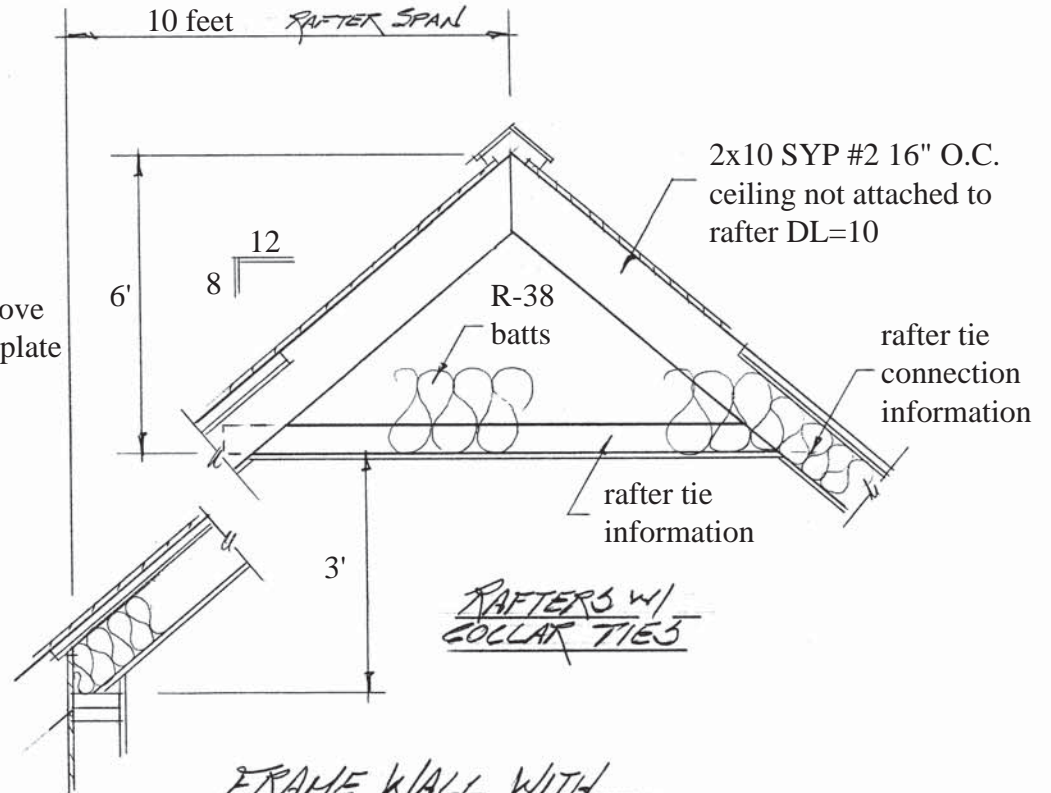
SAMPLE



RAFTERS w/ RIDGE BEAM
& CATHEDRAL CEILING



RAFTERS w/
CEILING JOISTS



RAFTERS w/
COLLAR TIES

FRAME WALL WITH
RAFTER DETAIL
SCALE: NONE

ELLIN
10/24/11